

Automated Fall-Back Switch

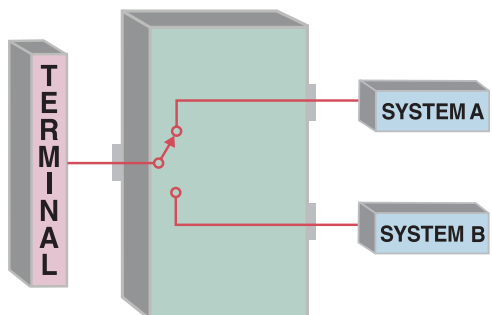


Applications:

- Controlled Routing of Telco, UTP, ISDN, or RS-232/422 Lines
- Switch to "Out-of-Service" or "Off-Line" Conditions
- Active or Fall-Back Gang Switching
- Disaster Recovery Switching

Features:

- Up to 16 Individually Controlled A/B Channels
- Retains Selected Position with Power Off
- Independent RS-232 Command Port
- Signal Monitoring for Automatic Switching



This application is typical of each AFS-16 Card

Versatile Switching

This versatile A/B switching system can be controlled via RS-232 from a modem, Terminal server or PC. It can also monitor Hardware I/O lines and switch on user defined condition and duration. Upon switching, the unit can trigger an alarm. Other smart features include password protection, user-defined site ID, jack labels, status display and more. By the way, if you don't need all these smarts, the unit can still be switched manually.

The AFS-16 is designed for applications that require automatic routing of analog or digital signals between a common jack and an A or B jack. The AFS-16 is ideal for switching RS-232, RS422/485, Ethernet/UTP or telephone units.

Expandable

The AFS-16 consists of a Card Rack, plug-in Power Supply Module, Command Port Card and up to 16 A/B Switch Cards. Each A/B Switch Card is capable of switching all 8 pins of the common jack (C) to either the A or the B jack located on the same card. Each card can be switched manually, automatically by event or by RS-232 command.

Monitor Mode

The Monitor Mode allows the AFS-16 to monitor an external RS-232 data line for change of state or contact closure for a condition such as loss of power or line failure. The AFS-16 can be programmed by the system administrator to turn on an alarm signal and/or send a Notify message.

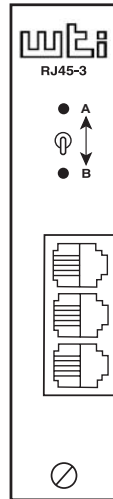


AFS-16 Automated Fall-Back Switch

Control Module

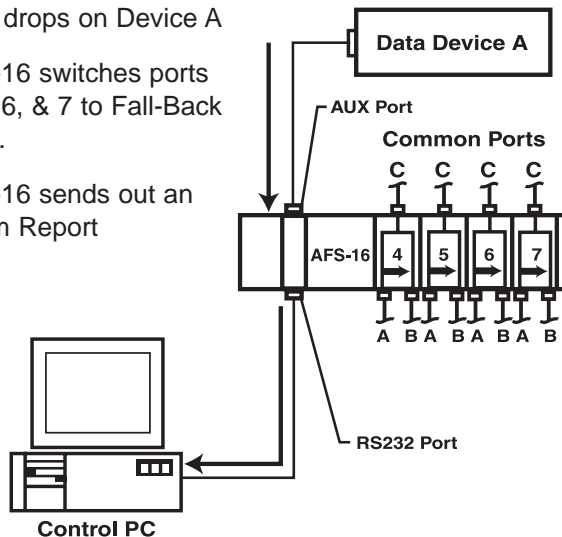


RJ24 A/B Channel Module



From the control module, the AFS-16 can be switched manually with the switch on the front of the module or with the RS-232 command port. Each card is individually switchable to either A or B. The command port is also used to program the AFS-16. Easy menu driven menus allow the system operator to set-up the AFS-16 for automated switching and event notification. Each time an event occurs, like a leased line failure, the AFS-16 can switch to a pre-programmed state and notify the system operator of the event.

- ① DTR drops on Device A
- ② AFS-16 switches ports 4, 5, 6, & 7 to Fall-Back state.
- ③ AFS-16 sends out an Alarm Report



The AFS-16 will monitor the signal loss on a RS-232/TTL device for automated switching. If DTR ① drops for the present duration, the AFS-16 ② will switch the desired cards to their fall-back state, notify the attached PC ③ If the DTR line goes high for a preset period of time the AFS-16 can be programmed to switch back to its primary state.

Specifications

Part Numbers:

AFS-16 (Rack, Power Supply, Controller)
AFS-RJ45 (Switch Module).

Switch Modules:

Up to Sixteen.

Interface:

(3) RJ-45, 8-pin switched Common Jack to A or B

Contacts:

High reliability, mechanical relays, break-before-make contacts with 1 amp @ 30 VDC rating, 100 million cycle lifetime.

Switching:

Manual: Individual Toggle Sw, Gang Switching from Control Module.

Code: By Slot Number or Name.

Card Rack and Control Unit:

Control Port:

RS-232, RJ11 jack to PC modular adapter (Supplied).

Aux. Port:

4-pin Quick-Connect terminal block for external connection for alarm output and monitor inputs (RS-232/TTL).

Coding:

Serial ASCII, 8 bits no parity.

Data Rate:

1200, 2400, 9600, 19.2K bps.

Memory:

Non-volatile parameter storage.

Size:

5.25", x 19" x 6.75" (H x W x D).

Power:

115/230 VAC, 50/60 Hz, 15 Watts.

Weight:

Shipping Weight (16 Cards) 15 lbs.



western telematic incorporated

5 Sterling • Irvine • California 92618-2517

TOLL FREE (800) 854-7226
TEL (949) 586-9950
FAX (949) 583-9514
EMAIL info@wti.com
WEB www.wti.com

NetReach is a trademark of
Western Telematic, Incorporated