



Automatic Power Redundancy for Single-Corded Devices

Power Control & Management:

- 120V AC and 240V AC Models
- Automatic Asynchronous Power Transfer for Rack-mount Network Devices
- Reliable, Seamless Automatic Power Switching
- Perfect Power Redundancy Solution for Single-Corded Devices
- Continuous Source Monitoring
- Robust Out-of-Phase Switching Capability
- Typical Switching Time: 8-12ms; 16ms max @ 60 Hz

Operating Features:

- LED Indicators Show Active Power Source
- 19" Rackmount
- Easy Installation; No Configuration Required



Need Power Source Redundancy?

Most data centers require power source redundancy in order to ensure that critical network devices are always up and running. This is a simple challenge when working with newer devices that already include a secondary power inlet. But how can you provide power redundancy for legacy devices that don't include a secondary power inlet?

PTS series Automatic Power Transfer Switches are specifically designed to provide safe, reliable power fallback for single-corded rackmount devices. The PTS includes dual AC power inlets, for connection to both a primary power source and a redundant, secondary power source. This allows the PTS to seamlessly switch from your primary power source to your back-up power source in the event that the primary power source fails or is unavailable. After switching to a secondary power source, the PTS can also switch power back to the primary input when power to the primary input is restored.

Automatic Power Transfer Switch

PTS Series

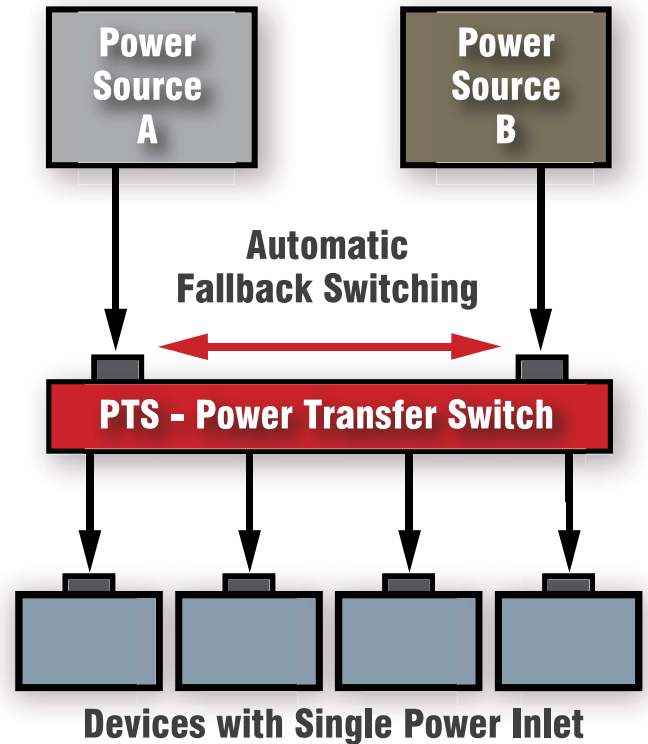


Model Number	Input Feeds (x2)	Power Inlets	Input Voltage	Max. Load per Outlet*	Power Outlets	Max. Load per Unit*	Dimensions
PTS-8NE15-1R*	15 Amps	(2) IEC-60320-C14	100 - 120 VAC	12 Amps	(8) NEMA 5-15R	12 Amps	W : 19" (48.3 cm) D: 6.5" (16.5 cm) H: 1.75" (4.5 cm) (1U - Horizontal)
PTS-9CM20-1R*	20 Amps	(2) IEC-60320-C20	100 - 120 VAC	10/16 Amps	(8) IEC-60320-C13 (1) IEC-60320-C19	16 Amps	
PTS-9CM20-2R*	20 Amps	(2) IEC-60320-C20	200 - 240 VAC	10/16 Amps	(8) IEC-60320-C13 (1) IEC-60320-C19	16 Amps	
PTS-4MM20-1R*	20 Amps	(2) IEC-60320-C20	100 - 120 VAC	16 Amps	(4) IEC-60320-C19	16 Amps	
PTS-4MM20-2R*	20 Amps	(2) IEC-60320-C20	200 - 240 VAC	16 Amps	(4) IEC-60320-C19	16 Amps	

* In accordance with UL requirements, these values have been de-rated to 80%.

Shipping Weights: PTS-14 Models PTS-8/9/4M Models	12 Lbs (5.44 Kg) 8 Lbs (2.73 Kg)
Operating Temp:	32°F - 140°F (0°C - 60°C)
Humidity:	10 - 90% RH
Approvals:	UL 62368-1, cUL, EN 62368-1, IEC 62368-1, FCC Class A

- ✓ 5 Year Warranty
- ✓ Stocked for Same Day Shipments
- ✓ In-House Design & Manufacturing
- ✓ Made In USA



For More Information:
Call: (800) 854-7226 **Or Visit:** www.wti.com

Automatic Power Transfer Switch

WTI - Western Telematic, Inc.

5 Sterling • Irvine • California 92618-2517 • Toll Free (800) 854-7226 • Email: info@wti.com • Web: www.wti.com

© Copyright 2023 Western Telematic, Incorporated
 PTS230222