

Revive Network Services Over Cellular!

Add 4G LTE Service to WTI Out-of-Band Rescue™ Devices

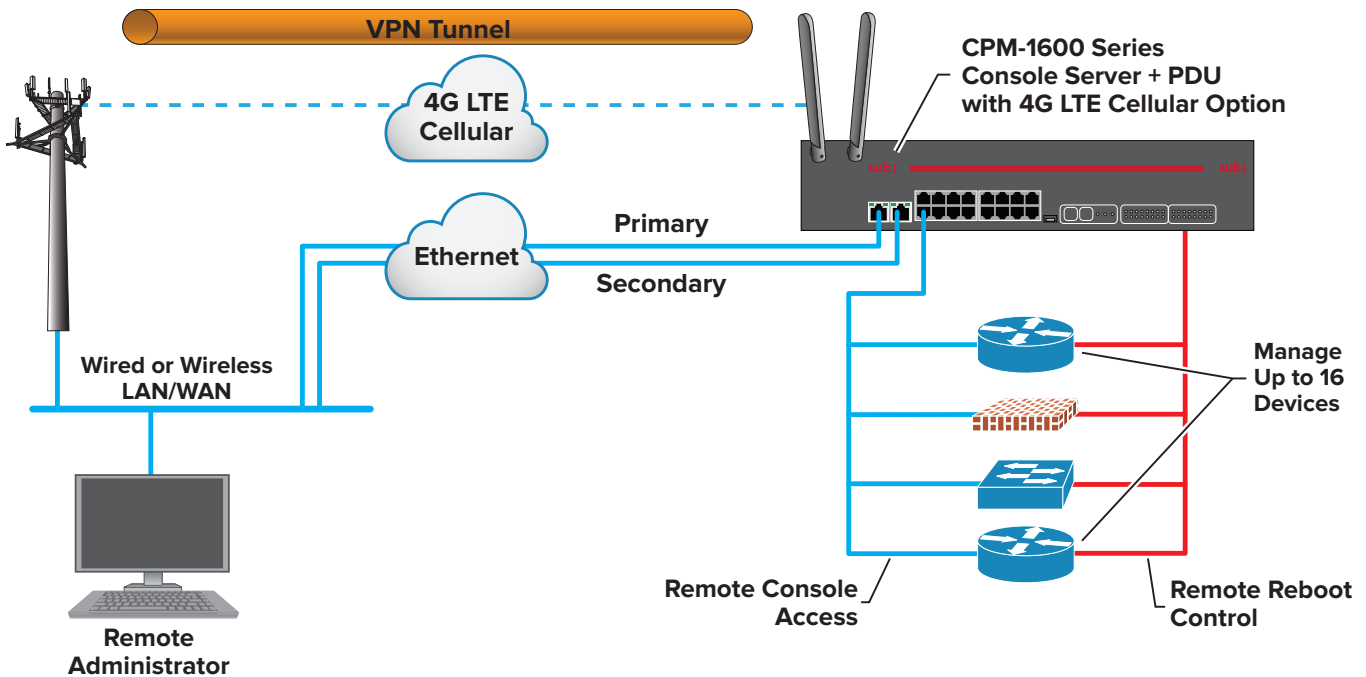


CPM-800-1-ECA
Console Server + PDU with W4G-VZW-CPM8 4G LTE Option

- WAN Failover Using Cellular
- Establish Serial Console Sessions
- Reboot Power

WTI's 4G LTE Cellular option helps to eliminate downtime and rapidly troubleshoot errors on your network.

When primary WAN links fail, devices need to be reconfigured over CLI or power must be rebooted, WTI Out-of-Band Rescue devices can backup, troubleshoot and restore your most mission-critical infrastructure over a secure cellular connection.





Add-On Part Numbers for DSM Console Server	
Part Number	Carrier
W4G-VZW-DSM8	Verizon
W4G-VZW-DSM24	Verizon
W4G-VZW-DSM40	Verizon
W4G-ATT-DSM8	AT&T
W4G-ATT-DSM24	AT&T
W4G-ATT-DSM40	AT&T
W4G-EUA-DSM8	World
W4G-EUA-DSM24	World
W4G-EUA-DSM40	World

Add-On Part Numbers for CPM Console Server + PDU	
Part Number	Carrier
W4G-VZW-CPM8	Verizon
W4G-VZW-CPM16	Verizon
W4G-ATT-CPM8	AT&T
W4G-ATT-CPM16	AT&T
W4G-EUA-CPM-8	World
W4G-EUA-CPM16	World

Cellular 4G LTE Features:

- No Cell PPP Alarm:** Notifies you when your cellular service provider or cellular modem is down. This allows administrators to deal with cellular link problems promptly, helping to ensure that cellular communication is available during outages.
- Cellular Wake-Up on Failure:** Allows you to put the W4G LTE Cellular modem into a non-connected sleep state until it is needed. When the WTI device determines that communication with either the primary Ethernet Port or optional secondary Ethernet Port has been interrupted, the Wake-Up on Failure feature will automatically “wake” the cellular modem to allow out-of-band access via cellular.
- Cellular Failover Using IP Passthrough:** When the Dual Gigabit Ethernet option is present, the cellular failover feature can provide a backup link over 4G LTE. Dual WAN routers can use WTI Out-of-Band Rescue devices as a secondary WAN connection over cellular when the primary link fails.

SIM Specifications:

Carrier: Verizon

SIM Type: Standard SIM (Not Included)

SIM Dimensions: 15mm x 25mm

Frequency Bands (MHz):
B13(700), B4(1700)

Carrier: AT&T

SIM Type: Standard SIM (Not Included)

SIM Dimensions: 15mm x 25mm

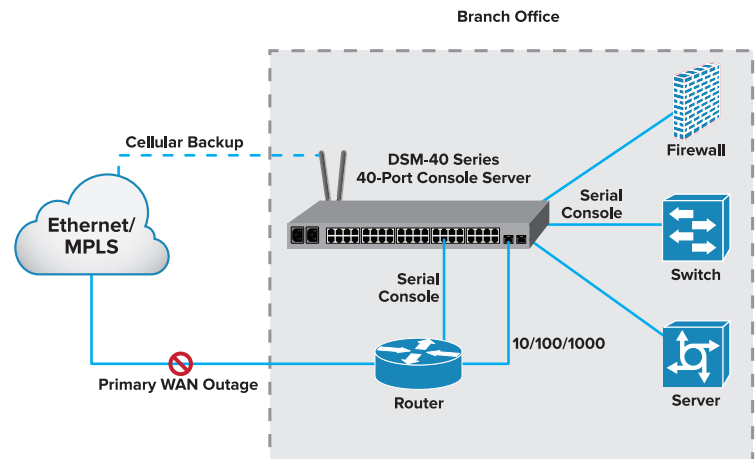
Frequency Bands (MHz):
4G: B2(1900), B4(AWS1700), B5(850), B12(700a),
3G: B2(1900), B5(850)

Carrier: World

SIM Type: Standard SIM (Not Included)

SIM Dimensions: 15mm x 25mm

Frequency Bands (MHz):
4G: B28(700), B20(800), B8(900), B3(1800),
 B1(2100), B7(2600)
3G: B8(900), B3(1800), B1(2100)
2G: B8(900), B3(1800)



OUT-OF-BAND RESCUE™

WTI - Western Telematic, Inc.

5 Sterling • Irvine • California 92618-2517 • Toll Free (800) 854-7226 • Email: info@wti.com • Web: www.wti.com

© Copyright 2020 Western Telematic, Incorporated
W4G200512