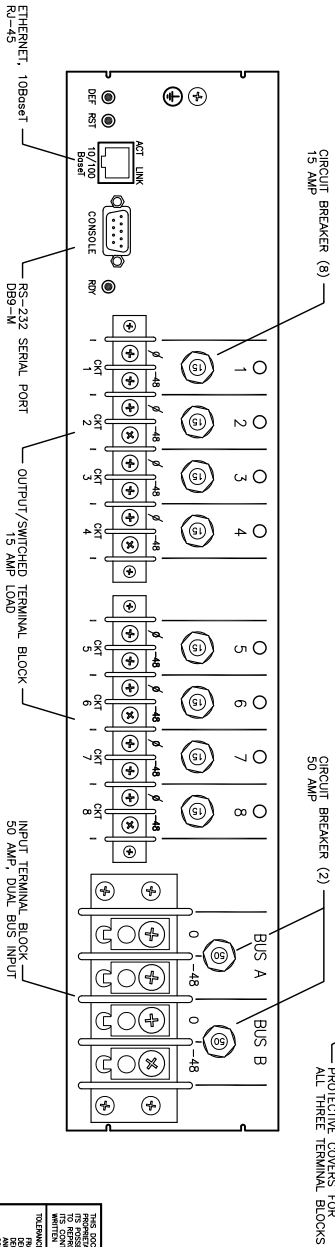
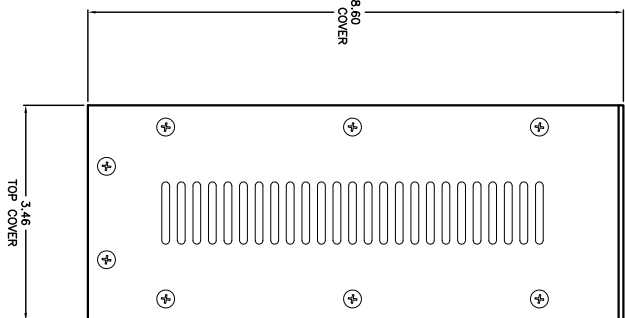


BACK VIEW



TOP COVER



THIS DOCUMENT CONTAINS INFORMATION OF A PROPRIETARY AND CONFIDENTIAL NATURE. IT IS TO BE KEPT SECRET AND NOT TO BE DISCLOSED TO ANY OTHER PERSON OR ENTITY WITHOUT THE WRITTEN PERMISSION OF WESTERN TELEMATIC INC. ANY PART WITHOUT PERMISSION IS STRICTLY PROHIBITED.

TOLERANCES UNLESS OTHERWISE SPECIFIED:
 DIMENSIONS: FRACTIONS: .0005, .001, .002, .005, .010, .015, .020, .030, .040, .050, .060, .070, .080, .090, .100, .125, .150, .175, .200, .250, .300, .375, .500, .625, .750, .875, 1.000
 DECIMALS: .0005, .001, .002, .005, .010, .015, .020, .030, .040, .050, .060, .070, .080, .090, .100, .125, .150, .175, .200, .250, .300, .375, .500, .625, .750, .875, 1.000
 ANGLES: .0005, .001, .002, .005, .010, .015, .020, .030, .040, .050, .060, .070, .080, .090, .100, .125, .150, .175, .200, .250, .300, .375, .500, .625, .750, .875, 1.000
 CONCENTRICITY: .010

		DRAWN: 1/17/12 DATE ISSUED:	
Western Telematic Inc. 6 Northgate Drive, Suite 200 Portland, Oregon 97208		CHECKED:	
TITLE: DIMENSIONAL DRAWING RPC-4850-48		FINISH:	
SCALE:		MATERIAL:	
DWG No.: RPC-4850-48		REV: A	