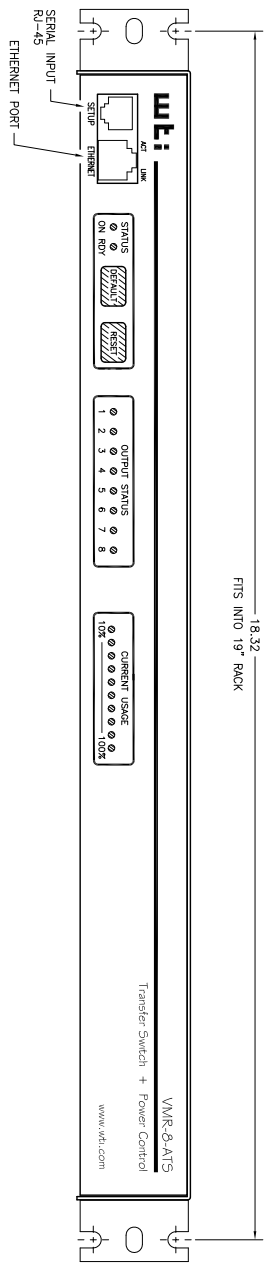
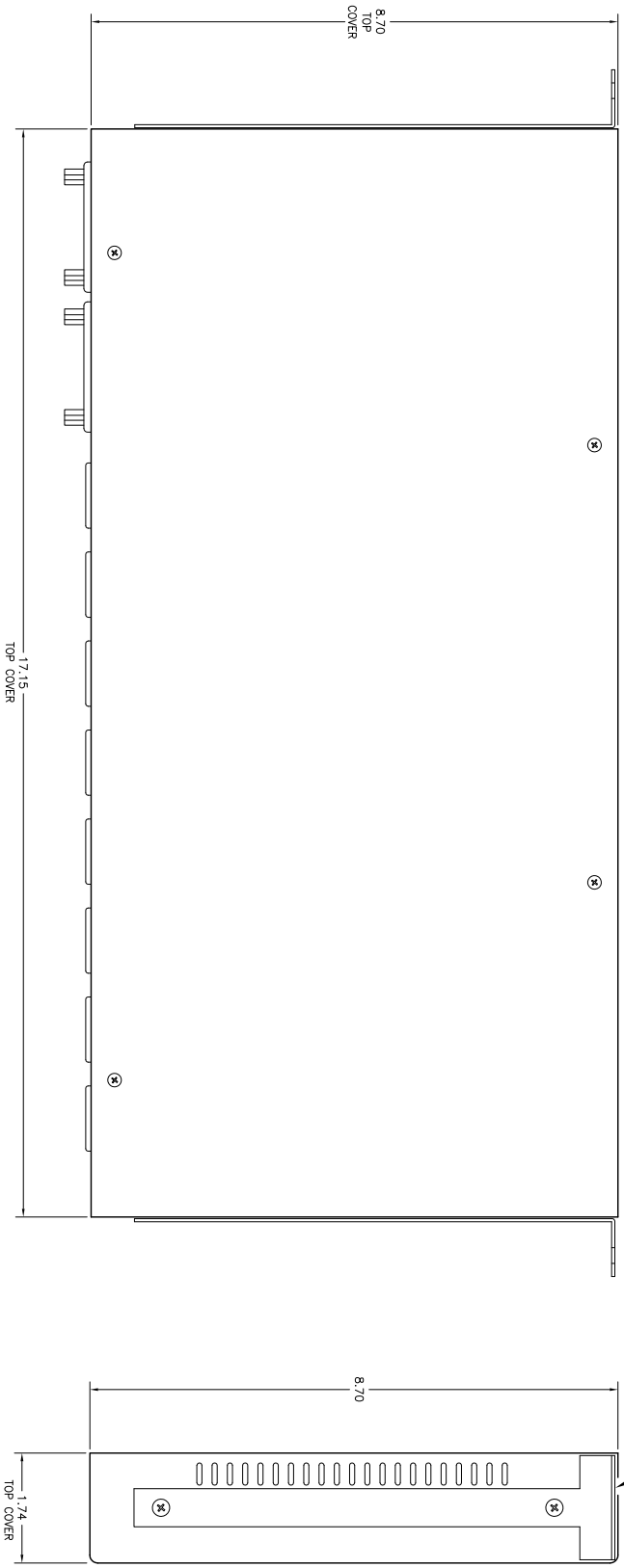


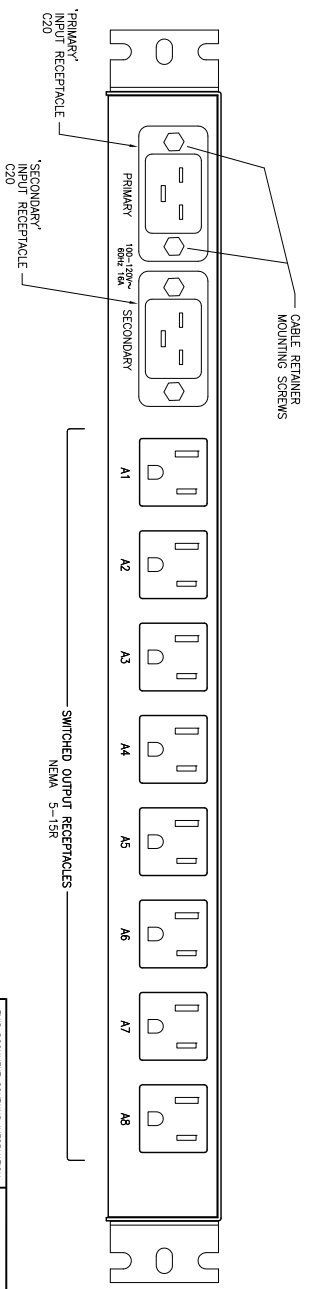
FRONT VIEW



TOP VIEW



BACK VIEW



<p>THIS DOCUMENT CONTAINS INFORMATION PROPRIETARY TO WESTERN TELEMATIC, INC. TO REPRODUCE OR TRANSMIT IN ANY FORM OR BY ANY MEANS WITHOUT THE WRITTEN PERMISSION OF WESTERN TELEMATIC, INC. IS CONSIDERED A VIOLATION OF THE PATENT RIGHTS OF WESTERN TELEMATIC, INC.</p>	
<p>TOLERANCES UNLESS OTHERWISE SPECIFIED</p>	
<p>FRACTIONS: XX</p>	<p>1/16</p>
<p>DECIMALS: .XX</p>	<p>.005</p>
<p>ANGLES: DIMENSION</p>	<p>.1°</p>
<p>SCALE</p>	<p>AS SHOWN</p>
<p>Western telematic inc.</p> <p>3 Sterling, Irvine, CA, 92618</p> <p>Dimensional Drawing VMR-8H20-ATS-1</p>	
<p>DWG No.</p>	<p>VMR-8H20-ATS-1</p>
<p>REV</p>	<p>A</p>